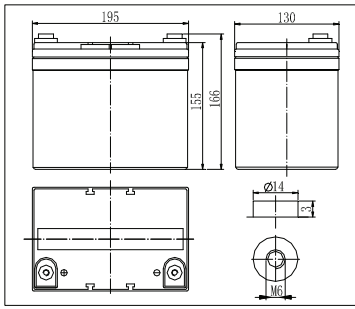


Dimensions



Specifications

Nominal Voltage	12 V	
Capacity(10HR, 25°C)	33Ah	
Capacity(15min.rate, 25°C)	125 Watts/cell	
Dimension	Length	195mm (7.68inch)
	Width	130mm (5.12inch)
	Height	155mm (6.10inch)
	Total Height	166mm (6.54inch)
Approx. Weight	10.7kg (23.5lbs)	
Internal resistance (Fully charged, 25°C)	Approx. 9.7mΩ	
Capacity affected by temperature (10HR)	40°C	102%
	25°C	100%
	0°C	85%
	-15°C	65%
Self-discharge (25°C)	3 month	Remaining Capacity: 91%
	6 month	Remaining Capacity: 82%
	12 month	Remaining Capacity: 65%
Nominal operating temperature	25°C±3°C(77°F±5°F)	
Operating temperature range	-15°C ~ 50°C (5°F ~ 122°F)	
Float charging voltage(25°C)	13.50 to 13.80V	
Cyclic charging voltage(25°C)	14.50 to 14.90V	
Maximum charging current	9.9A	
Terminal material	Lead	
Maximum discharge current	330A(5 sec.)	

- ◆ Absorbent glass mat technology;
- ◆ Recognized by UL & CE;
- ◆ ABS container.

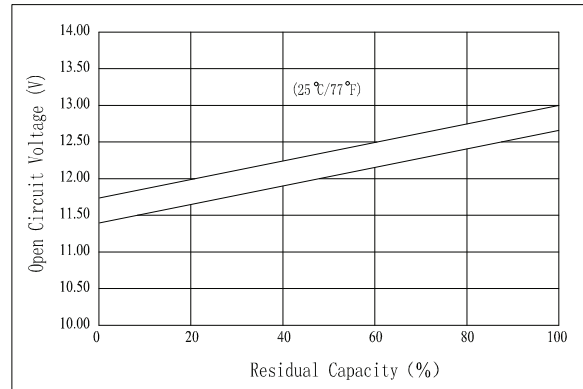
The Relationship for Open Circuit Voltage

Constant Current Discharge Characteristics (A, 25°C)

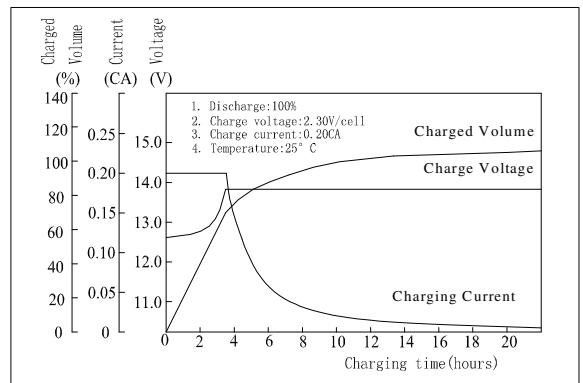
F.V/TIME	5min	10min	15min	30min	60min	3h	5h	10h	20h
1.60V/cell	128	84.2	68.5	38.8	23.8	8.54	6.03	3.35	1.76
1.67V/cell	124	81.6	66.8	37.9	23.2	8.47	5.98	3.34	1.75
1.70V/cell	122	80.0	65.8	37.3	22.9	8.42	5.94	3.32	1.74
1.80V/cell	114	75.2	62.5	35.4	21.7	8.25	5.82	3.30	1.73

Constant Power Discharge Characteristics (Watt, 25°C)

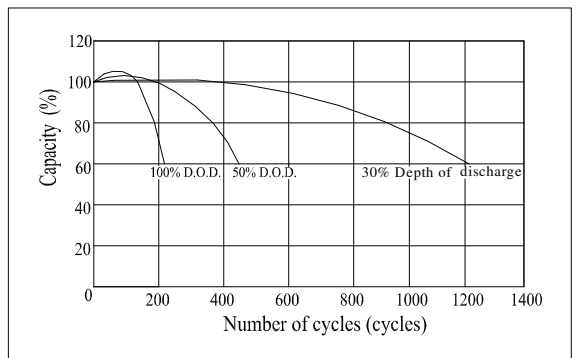
and Residual Capacity (25°C)



Charging Characteristics(25°C)



Cycle Life(25°C)



Note: Floating life at 20°C designed for 7 to 10 years.



LCF1233HR(12V125 Watts/cell@15min.Rate)

F.V/TIME	5min	10min	15min	30min	60min	3h	5h	10h	20h
1.60V/cell	231	156	130	72.6	45.2	16.7	11.9	6.67	3.52
1.67V/cell	223	151	127	70.8	44.1	16.6	11.8	6.65	3.51
1.70V/cell	219	148	125	69.7	43.4	16.5	11.7	6.61	3.49
1.80V/cell	206	139	119	66.2	41.3	16.2	11.5	6.61	3.47